

HUGHES


SAFETY-SHOWERS

WALL OR PEDESTAL MOUNTED EMERGENCY EYE/FACEWASH FOUNTAIN

Article No.: STD-45G

This eye / facewash has high flow rate aerated diffusers for improved washing action to the eyes, face and hands and incorporates an integral lid connected to the water valve for automatic operation when the lid is pulled down. The lid also ensures that the bowl remains clean and free from contamination at all times.

The eye wash diffusers are fitted with fine mesh strainers and a flow controller and are designed to give a gentle flow of aerated water.



STD-45G/T



STD-45G/P



STD-45GS/P

Article Nos.:
STD-45G/T - Table/Bench mounted
STD-45G/P & 45GS/P - Pedestal mounted

(available in Galvanised Mild Steel or Stainless Steel)

TECHNICAL SPECIFICATION
Materials of Construction

Eye/facewash Bowl/lid Acrylic Capped ABS

Services

| | |
|---------------------------|--|
| Water Inlet | 1/2" Male BSP |
| Design Operating Pressure | 2.0 to 6 BAR G (Higher supply pressures accommodated with the incorporation of the optional Pressure Reducing Valve) |
| Test Pressure | 10.3 BAR G |
| Minimum Flow Rates - ANSI | Eye/Facewash: 20 litres/minute |

Environmental Operating Temperature

| | |
|-----------------------------|---------------|
| Min. Ambient Operating Temp | 5° C (41° F) |
| Max. Ambient Operating Temp | 35° C (95° F) |

Activation/Operation

| | |
|--------------|---|
| Eye/facewash | Pull Lid forward to operate (Treadle foot control for hands free-optional) |
|--------------|---|

Weights and Dimensions

| | |
|-----------------------------------|----------------------------|
| Dimensions (Standard Orientation) | 410(W) x 400(D) x 315mm(H) |
| Weight (Unpacked) | 8kg |

| | | |
|---------------|-------|----------------|
| Doc. Control: | Rev.: | Date: |
| | 3.2 | April 12, 2016 |

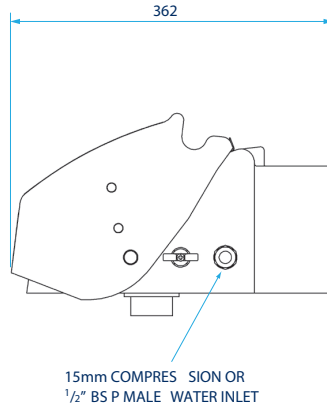
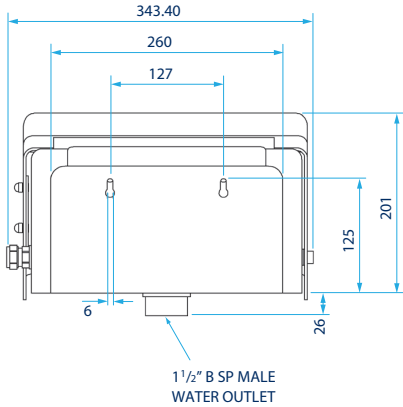
This Article Data Sheet (ADS) is designed and produced by FLOWTRONIX (FT) covered under the intellectual property law. Any reproduction in whole or in part is strictly prohibited without written approval. FT ES 1528-3.2



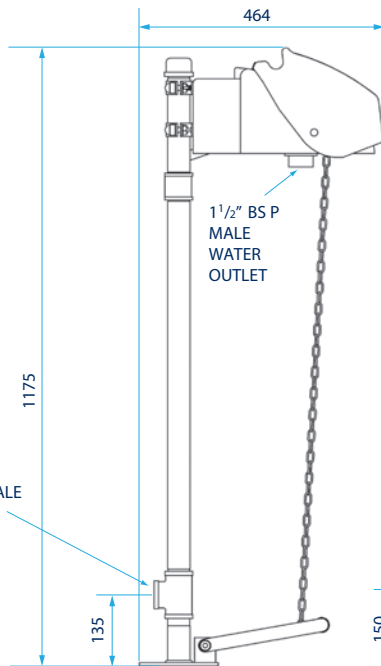
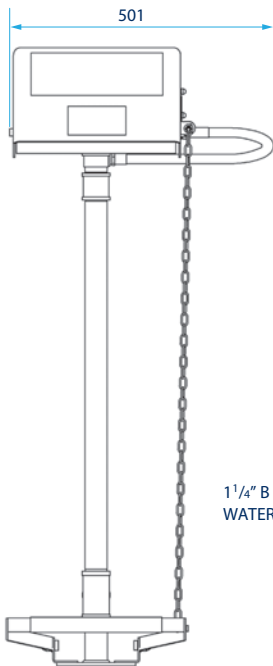
HUGHES SAFETY-SHOWERS

WALL OR PEDESTAL MOUNTED EMERGENCY EYE/FACEWASH FOUNTAIN Article No: STD-45G

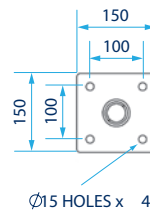
STD-45G



STD-45G/P



1 1/4" B SP FEMALE WATER INLET



OPTIONAL FITTINGS

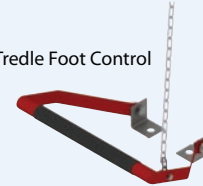


• Eyewash Sign -Wall Mouted



• Optiflex

• Tredle Foot Control



• Eye/Facewash Proximity Switch



• Flow Switch



• Audible/Visual Alarm



• 'Y' Strainer



• Visual Alarm



• Pressure Reducing Valve



• Audible Alarm

STANDARDS

- Allocate a location reference for ease of identification
- All units to be activated weekly - **ANSI Z358.1 2014**
- Safety shower/eye wash must be located within 10 seconds or 15 metres of a potential hazard - **ANSI Z358.1 2014**
- The unit must be located on the same level as the hazard and the path of travel & local area should be free from obstructions - **ANSI Z358.1 2014**
- The unit should be well lit and identified with highly visible signage to **BS EN ISO 7010 - ANSI Z358.1 2014**
- Flush for sufficient duration to purge the supply pipe with fresh water
- Replace worn or illegible safety signs and stickers
- Sign & date service tag when service completed

| | | |
|---------------|-------|----------------|
| Doc. Control: | Rev.: | Date: |
| | 3.2 | April 12, 2016 |

This Article Data Sheet (ADS) is designed and produced by FLOWTRONIX (FT) covered under the intellectual property law. Any reproduction in whole or in part is strictly prohibited without written approval. FT ES 1528-3.2

