

HUGHES


SAFETY-SHOWERS

GENERAL USE TANK SHOWER

Article No.: EXP-J-14K/1200

Heavy-duty Emergency Tank Showers for use when tepid water is required or a constant supply cannot be guaranteed. These units are essentially used where there is a problem with insufficient water pressure or inadequate flow rate. This improved range incorporates models to suit a wide range of situations.

The outdoor types are heated and pre-insulated to prevent freezing during conditions of frost, whereas the indoor or tropical versions are insulated but without the heating to ensure a steady temperature is maintained.



- Insulated 1200 litre tank with rectangular hollow section frame available in either **Galvanised Mild Steel** or **Stainless Steel**.
- The frames are designed and built to be earthquake-proof and conform to the California Building Code 1998 Chapter 16, Division 1.
- Available with GRP outer casing in white, green or yellow.
- Shown with optional **ANSI** standard internally mounted Eye/Facewash Fountain. A version is also available with the Eye/Facewash Fountain mounted externally.

Models also available:

- **EXP-J-14K/350**
- **EXP-J-14K/750**
- **EXP-J-14K/1500**
- **EXP-J-14K/1600**
- **EXP-J-14K/2000**

All models are available in Stainless Steel or Galvanized

INTERNATIONAL STANDARDS GUIDANCE

- Allocate a location reference for ease of identification
- All units to be activated weekly - **ANSI Z358.1 2014**
- Safety shower/eye wash must be located within 10 seconds or 15 metres of a potential hazard - **ANSI Z358.1 2014**
- The unit must be located on the same level as the hazard and The path of travel & local area should be free from obstructions - **ANSI Z358.1 2014**
- The unit should be well lit and identified with Highly Visible signage to **ISO 3864.1 - ANSI Z358.1 2014**
- Flush for sufficient duration to purge the supply pipe with fresh water
- Replace worn or illegible safety signs and stickers
- Sign & date service tag when service completed

Doc. Control:	Rev.:	Date:
	3.2	April 12, 2016

This Article Data Sheet (ADS) is designed and produced by FLOWTRONIX (FT) covered under the intellectual property law. Any reproduction in whole or in part is strictly prohibited without written approval. FT ES 1519-3.2





HUGHES



GENERAL USE TANK SHOWER

Article No.: EXP-J-14K/1200

TECHNICAL DATA

Inlet Connection Size & Type	3/4" BSP Female
Shower Operation	Panic Bar (Foot Panel Control optional)
Eye/facewash Operation	Lift Lid (Foot Treadle Control optional)
Supply Pressure	0.5 Bar (minimum) - 10 Bar (maximum)
Flow at Operating Pressure	Showers - 76 Litres/Min Eye/Facewash - 12 Litres/Min
Electrical Equipment - Non-Hazardous	Suitable for use in areas classified as Non-Hazardous
Electrical Equipment - Hazardous	ATEX Zone 1 & 2 Gas Groups IIA & IIB, Temp Class T3 (IIC available)
Electrical Supply	240V, Single Phase, 50Hz (110V optional)

MATERIALS

Howser Rose	GRP Housing Stainless Steel Rose - 75.7 litres/min (ANSI compliant)
Piping & Valve Materials	Showers - uPVC piping and uPVC valve for shower Eye wash - uPVC piping and stainless steel valve for eye wash uPVC 1 1/2" BSP Ball Valve. BS4346 Part 1.
Control Valve - Shower	1/2" Hughes Stainless Steel full flow ball valve with stainless steel ball
Control Valve - Eye/Facewash	1/2" Hughes Stainless Steel 'Y' Strainer with 100 mesh monel filter basket
Eye/Facewash Strainer	1" BSP uPVC
Overflow	2 x 1/2" BSP Brass Ballcock Valve to BS1212/PE2 with 5" Float
Ballcock Valve	Red Reinforced Nylon
Shower Valve Levers	Stainless Steel
Eye/facewash Valve Levers	Stainless Steel Powder Coated Red
Shower Control Panic Bar	1200 Litre Capacity Heavy Density Polyethylene HDPE
Water Tank	Heavy-Duty GRP in White (Green or Yellow available)
Tank Surround and Lid	Mild steel hollow section galvanised to BS729
Shower Frame and Legs (K)	Stainless Steel Type 304l with semi-polished finish
Shower Frame and Legs (Ks)	40mm thick foil backed polyurethane
Insulation	Stainless Steel
Pull Rods For Valve Operation	Galvanised or Stainless Steel (Optional)
Panel Type Foot Control	Stainless Steel A2
All Fasteners and Fixings	

ENVIRONMENTAL TEMPERATURE

Minimum Ambient Operating Temp	EXP-J: 5°C (41°F)
Maximum Ambient Operating Temp	35°C (95°F) - (Except where chiller or cooling coils are fitted)

WEIGHTS

1200ltr - No Options	320Kg	Temperature Indicator 4" Dial	0.6Kg
GRP Panelling To 3 Sides	43Kg	Immersion Heater - FLP	6.5Kg
Sun Shields - Set	34.7Kg	Immersion Heater - Non FLP	2.2Kg
Sump Frame & Foot Grating	56.6Kg	Chiller Unit - FLP	370Kg
Shower Panel Foot Control	32Kg	Chiller Unit - Non FLP	98Kg
Eye Wash Treadle Foot Control	1.1Kg	Light - FLP	1.8Kg
Eye/Facewash	5Kg	Light - Non FLP	1Kg
Pointer Level Indicator	0.6Kg		

*Unless stated all references to Stainless Steel are 304L.

Doc. Control:	Rev.: 3.2	Date: April 12, 2016
----------------------	-----------	----------------------

This Article Data Sheet (ADS) is designed and produced by FLOWTRONIX (FT) covered under the intellectual property law. Any reproduction in whole or in part is strictly prohibited without written approval. FT ES 1519-3.2



HUGHES



GENERAL USE TANK SHOWER

Article No.: EXP-J-14K/1200

OPTIONAL FITTINGS

- Eye/Facewash Fountain
- Hand Held Eye, Face & Body Shower Unit
- Tank Shower Light for Sign Box
- GRP Panelling for Legs
- Strip Screens
- Drain Sump and Grating
- Panel Foot Control
- Treadle Foot Control
- Shower Test Handle
- Syphon Dump Valve
- Temperature Gauge
- Pointer Level Indicator
- Low Level Switch
- Shower Proximity Switch
- Eye/Facewash Proximity Switch
- Eye, Face & Body Shower Proximity Switch
- Audible/Visual Alarm
- Audible Alarm
- Visual Alarm
- Sunshields
- Cooling Coils
- Chiller Units
- Brass Pressure Reducing Valve
- Inlet Flange
- Hydroclenz



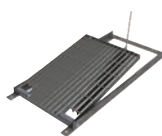
• Eye/Facewash Fountain



• Hand Held Eye, Face & Body Shower Unit



• Drain Sump and Grating



• Panel Foot Control



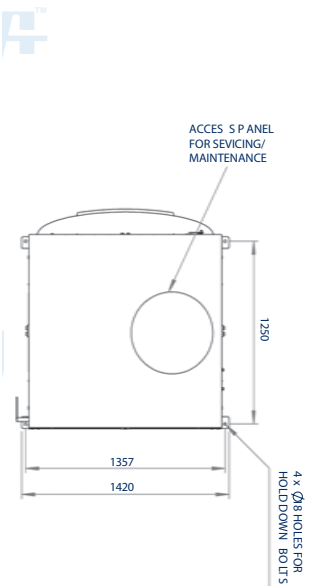
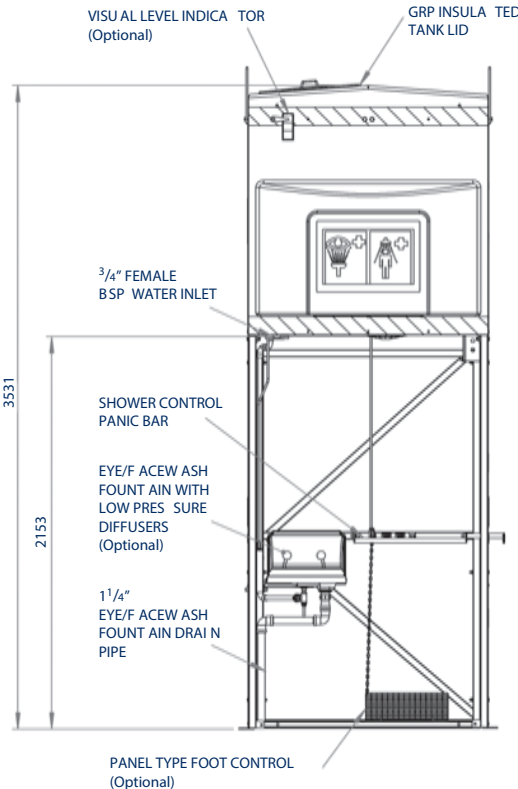
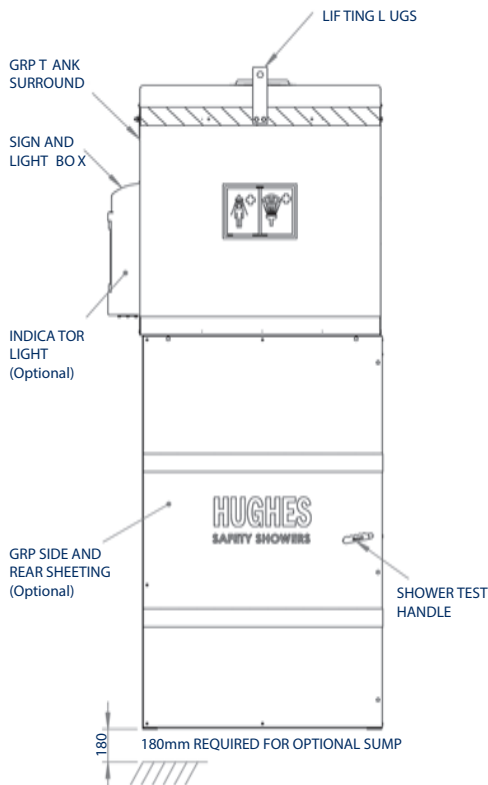
• Syphon Dump Valve



• Audible/Visual Alarm



• Brass Pressure Reducing Valve



Doc. Control:	Rev.: 3.2	Date: April 12, 2016
---------------	-----------	----------------------

This Article Data Sheet (ADS) is designed and produced by FLOWTRONIX (FT) covered under the intellectual property law. Any reproduction in whole or in part is strictly prohibited without written approval. FT ES 1519-3.2

