

HUGHES



SAFETY-SHOWERS

CEILING MOUNTED SAFETY SHOWER

Article No.: EXP-23G/V

Unheated Ceiling Mounted Emergency Safety Shower with mounting plate.

The shower is operated by a pull handle for ease of use in an emergency. It has a removable self-draining overhead shower head, which is specifically designed for high flow rates in line with ANSI and EU standards.

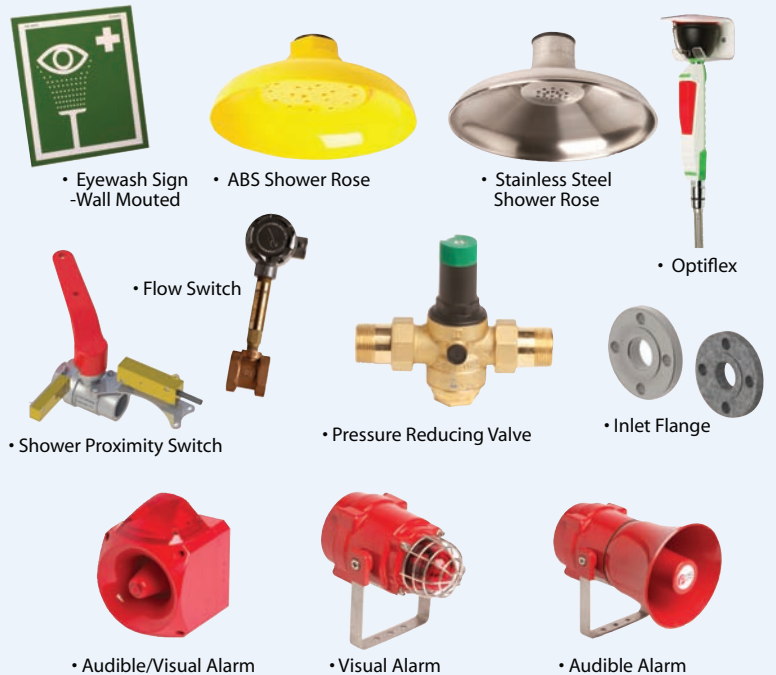


(Stainless Steel)

(Galvanised)

- Designed in accordance with ANSI and EU guidelines
- Ceiling Mounted Indoor Unheated Safety Shower
- Hughes ball valve for greater reliability and longer life
- Available in Galvanised or Stainless Steel

OPTIONAL FITTINGS



• Eyewash Sign -Wall Mouted

• ABS Shower Rose

• Stainless Steel Shower Rose

• Optiflex

• Flow Switch

• Shower Proximity Switch

• Pressure Reducing Valve

• Inlet Flange

• Audible/Visual Alarm

• Visual Alarm

• Audible Alarm

Doc. Control:	Rev.: 3.2	Date: April 12, 2016
---------------	-----------	----------------------

This Article Data Sheet (ADS) is designed and produced by FLOWTRONIX (FT) covered under the intellectual property law. Any reproduction in whole or in part is strictly prohibited without written approval. FT ES 1535-3.2



HUGHES



CEILING MOUNTED SAFETY SHOWER

Article No.: EXP-23G/V

TECHNICAL SPECIFICATION

MATERIALS OF CONSTRUCTION

Pipework & Fittings (G)	Galvanised Mild Steel with 150lb medium wall tubulars and fittings
Pipework & Fittings (GS)	316L Stainless Steel with 150lb medium wall tubulars and fittings
Operating Valve	Hughes - 316 Stainless Steel
Shower Spray Outlet	Hughes ABS Shower Head (Standard)
Standard Finish (Galvanised Mild Steel)	Green Powder Coated (Alternative colours available)
Standard Finish (Stainless Steel)	Polished Brush Finish (Paint options available)

SERVICES

Water Inlet	1" Male BSP
Design Operating Pressure	1.5 to 6 BAR G (Higher supply pressures accommodated with the incorporation of the optional Pressure Reducing Valve)
Test Pressure	10.3 BAR G
Minimum Flow at Operating Pressure	Shower: 76 litres/minute minimum

ENVIRONMENTAL OPERATING TEMPERATURE

Minimum Ambient Operating Temp	5° C (41° F)
Maximum Ambient Operating Temp	35° C (95° F)

ACTIVATION/OPERATION

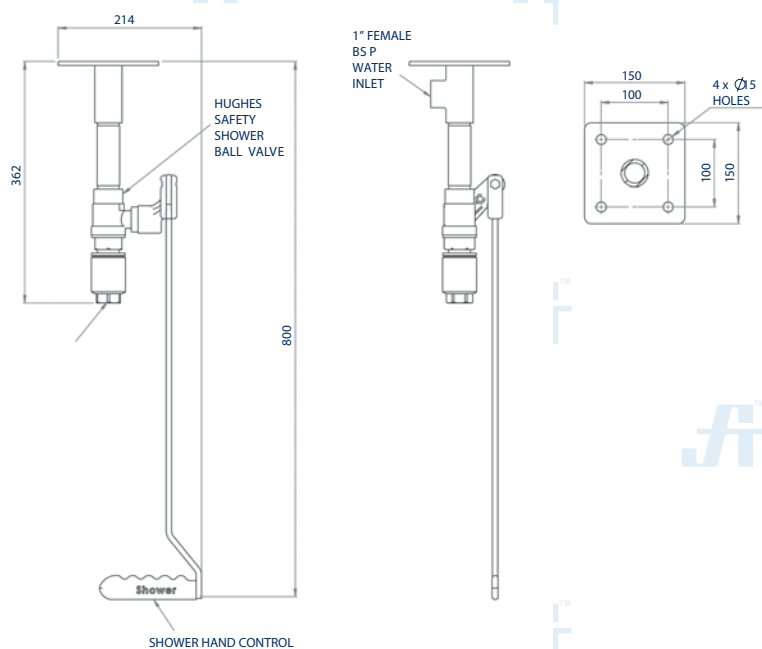
Shower Operation	Full Hand Lever
------------------	-----------------

WEIGHTS and DIMENSIONS

Overall Dimensions	150(W) x 150(D) x 370mm(H)
Weight (No Option)	3.5Kg

STANDARDS

- Allocate a location reference for ease of identification.
- All units to be activated weekly - **ANSI Z358.1 2014**
- Safety shower/eye wash must be located within 10 seconds or 15 metres of a potential hazard - **ANSI Z358.1 2014**
- The unit must be located on the same level as the hazard and the path of travel & local area should be free from obstructions - **ANSI Z358.1 2014**
- The unit should be well lit and identified with highly visible signage to **BS EN ISO 7010 - ANSI Z358.1 2014**
- Flush for sufficient duration to purge the supply pipe with fresh water.
- Replace worn or illegible safety signs and stickers.
- Sign & date service tag when service completed.



Doc. Control:	Rev.: 3.2	Date: April 12, 2016
---------------	-----------	----------------------

This Article Data Sheet (ADS) is designed and produced by FLOWTRONIX (FT) covered under the intellectual property law. Any reproduction in whole or in part is strictly prohibited without written approval. FT ES 1535-3.2

