

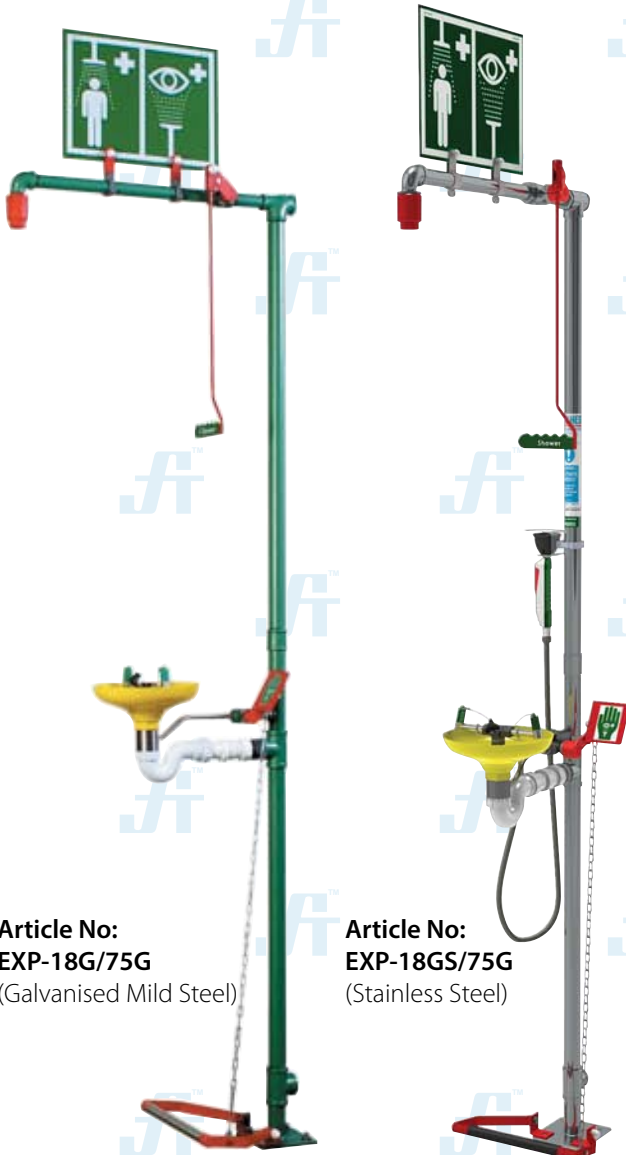
HUGHES


SAFETY-SHOWERS

SAFETY SHOWER WITH EYE/FACEWASH FOUNTAIN

Article No.: EXP-18G/75G, EXP-18GS/75G

Unheated Emergency Safety Shower with Eye/Facewash Fountain with yellow ABS plastic bowl. With high level water inlet and Eye/Facewash drained to floor level. Available in Galvanised or Stainless Steel with optional fittings.



Article No:
EXP-18G/75G
(Galvanised Mild Steel)

Article No:
EXP-18GS/75G
(Stainless Steel)

- Designed in accordance with ANSI and EU guidelines
- Free-standing Indoor Unheated Safety Shower with Eye/Facewash Fountain
- Yellow ABS Eye/Facewash bowl - Pushing handle plate provides simple operation even when vision is impaired
- Hughes ball valves for greater reliability and longer life
- Available in Galvanised or Stainless Steel
- Choice of optional components including alarms and foot operation.

DESCRIPTION

- The shower is operated by a pull handle for ease of use in an emergency. It has a removable self-draining overhead shower nozzle, which is specifically designed for high flow rates.
- The eye/facewash has twin spray nozzles with dust covers and is push plate operated.
- The eye wash diffusers are fitted with fine mesh strainers and individual flow controllers and are designed to give a gentle flow of aerated water.
- The water jets lift off the dust covers when operated.

Doc. Control:	Rev.:	Date:
	3.2	April 12, 2016

This Article Data Sheet (ADS) is designed and produced by FLOWTRONIX (FT) covered under the intellectual property law. Any reproduction in whole or in part is strictly prohibited without written approval. FT ES 1527-3.2



HUGHES


SAFETY-SHOWERS


SAFETY SHOWER WITH EYE/FACEWASH FOUNTAIN

Article No.: EXP-18G/75G, EXP-18GS/75G

TECHNICAL SPECIFICATION

MATERIALS OF CONSTRUCTION

Pipework & Fittings (G)	Galvanised Mild Steel with 150lb medium wall tubulars and fittings
Pipework & Fittings (GS)	316L Stainless Steel with 150lb medium wall tubulars and fittings
Operating Valve	Hughes - 316 Stainless Steel
Shower Spray Outlet	Hughes Shower Nozzle Moulded Nylon 6
Eye/facewash Bowl/lid	ABS Plastic
Eye Wash Diffusers	Chrome Plated Brass with Stainless Steel Mesh
Standard Finish (Galvanised Mild Steel)	Green Powder Coated (Alternative colours available)
Standard Finish (Stainless Steel)	Polished Brush Finish (Paint options available)

SERVICES

Water Inlet	1 1/4" Female BSP
Design Operating Pressure	2.0 to 6 BAR G (Higher supply pressures accommodated with the incorporation of the optional Pressure Reducing Valve)
Test Pressure	10.3 BAR G
Minimum Flow at Operating Pressure	Shower: 76 litres/minute minimum Eye/Facewash: 20 litres/minute minimum

ENVIRONMENTAL OPERATING TEMPERATURE

Minimum Ambient Operating Temp	5° C (41° F)
Maximum Ambient Operating Temp	35° C (95° F)

ACTIVATION/OPERATION

Shower Spray Operation	Full Hand (Foot Panel control for hands free - optional)
Eye/facewash Operation	Push Plate Operated (Foot Treadle control for hands free - optional)

WEIGHTS and DIMENSIONS

Overall Dimensions	285(W) x 750(D) x 2300mm(H)
Weight (No Options)	16Kg

OPTIONAL FITTINGS



Doc. Control:	Rev.: 3.2	Date: April 12, 2016
---------------	-----------	----------------------

This Article Data Sheet (ADS) is designed and produced by FLOWTRONIX (FT) covered under the intellectual property law. Any reproduction in whole or in part is strictly prohibited without written approval. FT ES 1527-3.2

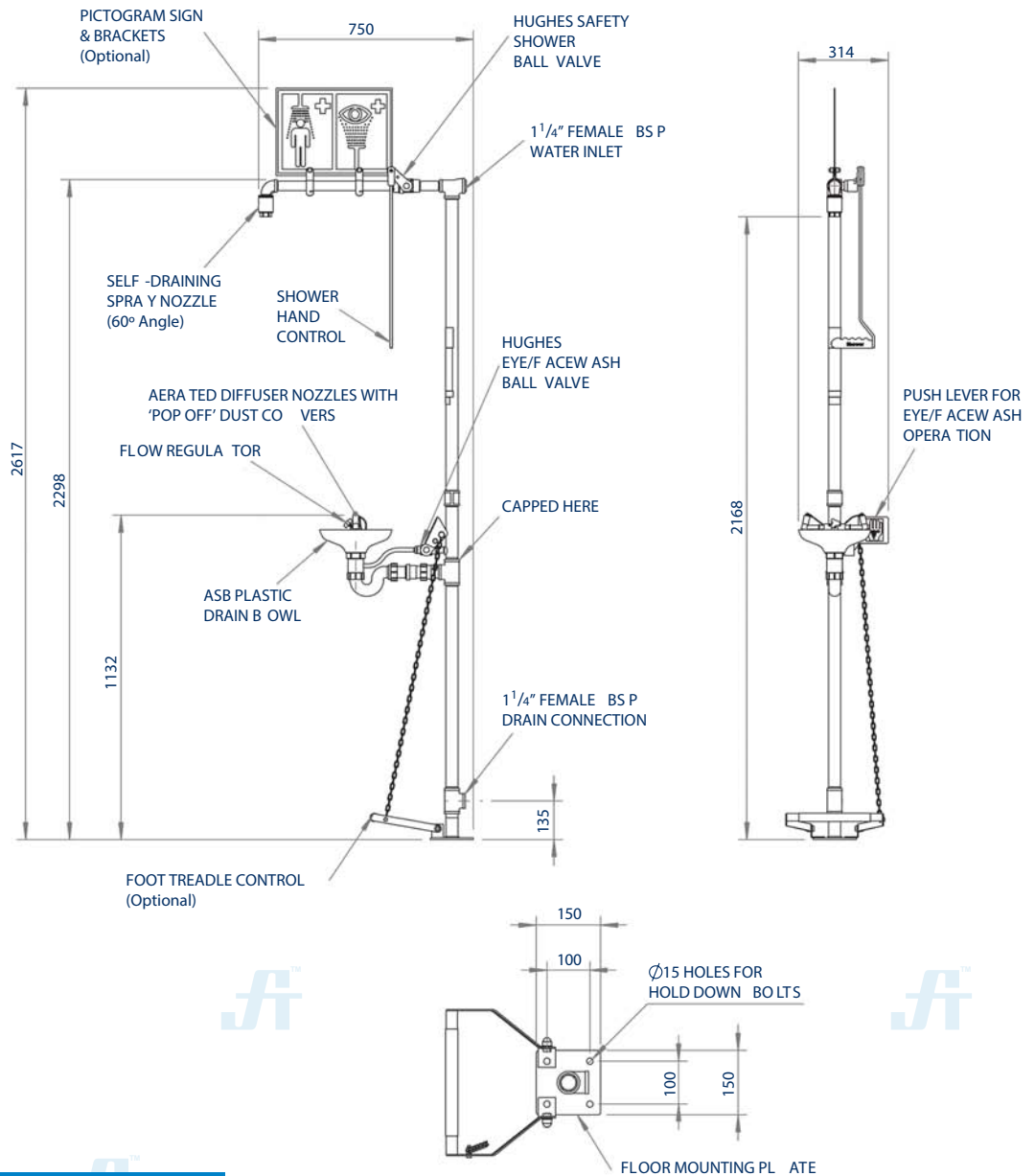


HUGHES

SAFETY-SHOWERS

SAFETY SHOWER WITH EYE/FACEWASH FOUNTAIN

Article No.: EXP-18G/75G, EXP-18GS/75G



STANDARDS

- Allocate a location reference for ease of identification.
- All units to be activated weekly - **ANSI Z358.1 2014**
- Safety shower/eye wash must be located within 10 seconds or 15 metres of a potential hazard - **ANSI Z358.1 2014**
- The unit must be located on the same level as the hazard & the path of travel & local area should be free from obstructions - **ANSI Z358.1 2014**
- The unit should be well lit and identified with highly visible signage to **BS EN ISO 7010 - ANSI Z358.1 2014**
- Flush for sufficient duration to purge the supply pipe with fresh water.
- Replace worn or illegible safety signs & stickers.
- Sign & date service tag when service completed.

Doc. Control:	Rev.:	Date:
	3.2	April 12, 2016

This Article Data Sheet (ADS) is designed and produced by FLOWTRONIX (FT) covered under the intellectual property law. Any reproduction in whole or in part is strictly prohibited without written approval. FT ES 1527-3.2

